



FOR
CHEVROLET CRUZE A/C+/- (03/09 >)
OPEL INSIGNIA A/C+/- (01/09 >) / MERIVA A/C+/- (06/10 >)



PROTECT

combined with
 active carbon



715659
 FH342

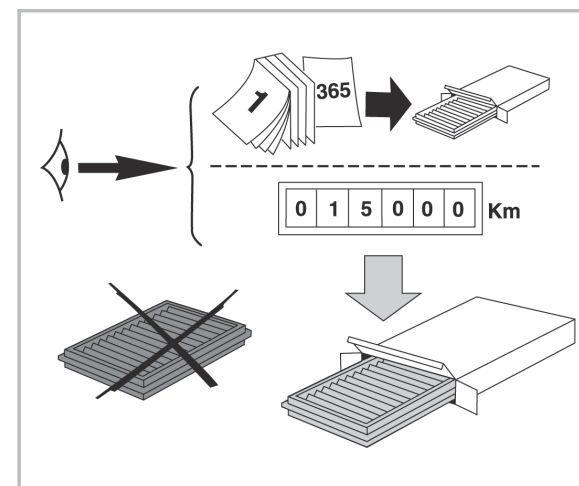
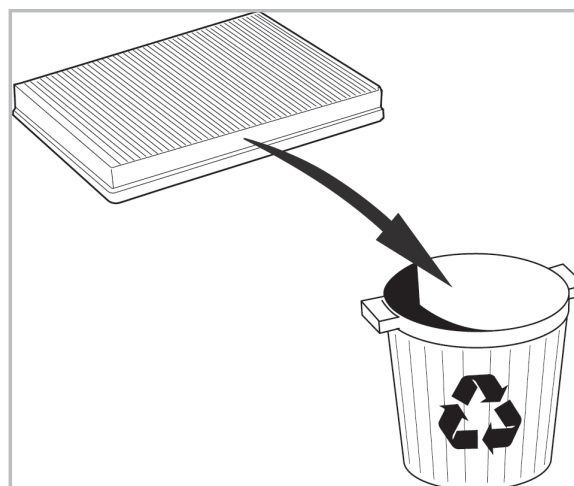
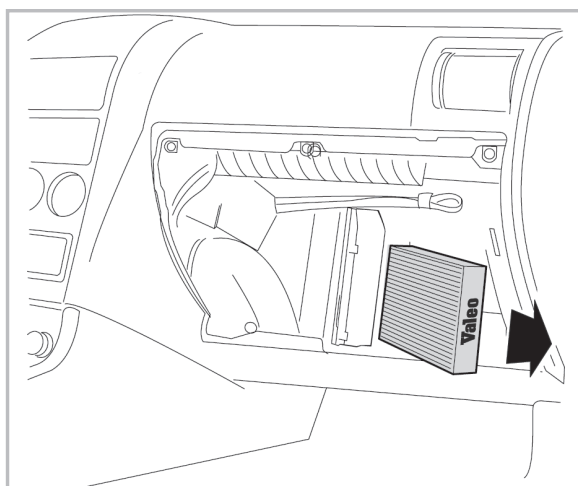
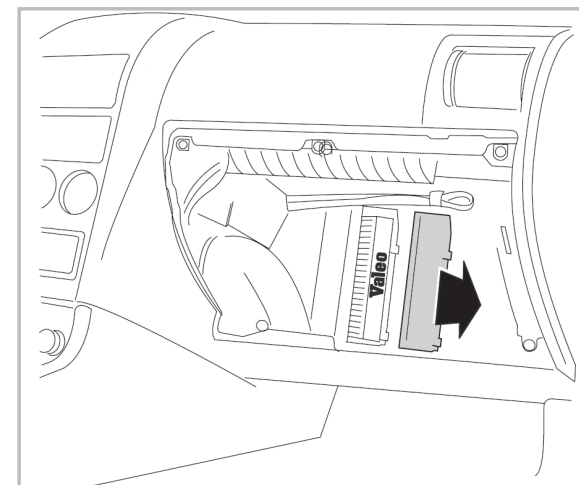
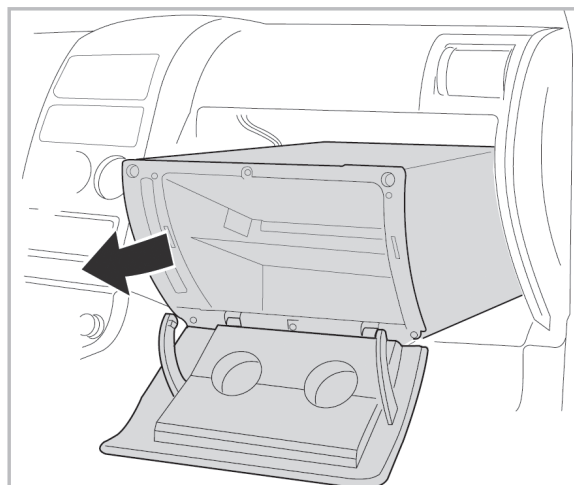
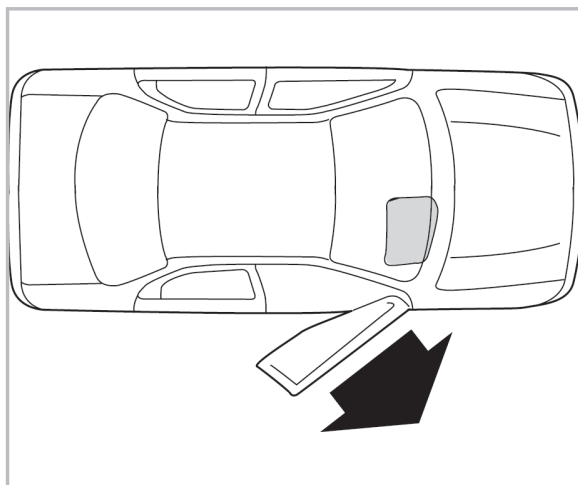


CA

WANT TO
 KNOW MORE?



www.valeo-techassist.com





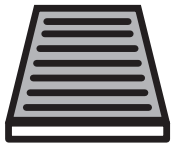
PROTECT

combined with active carbon



715659

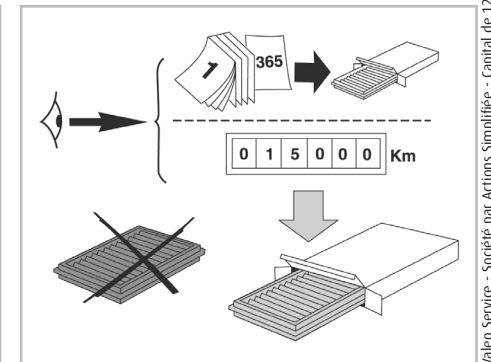
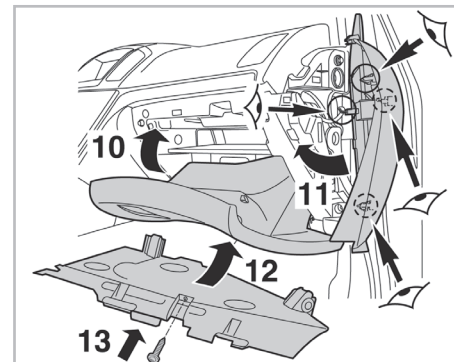
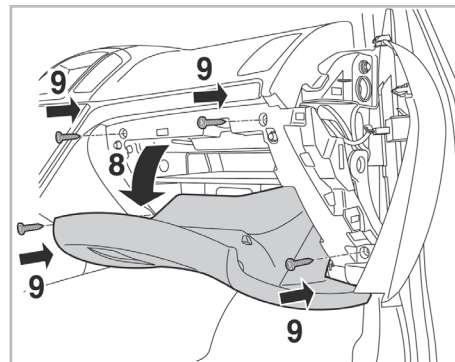
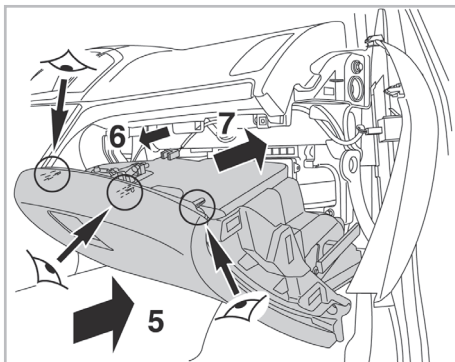
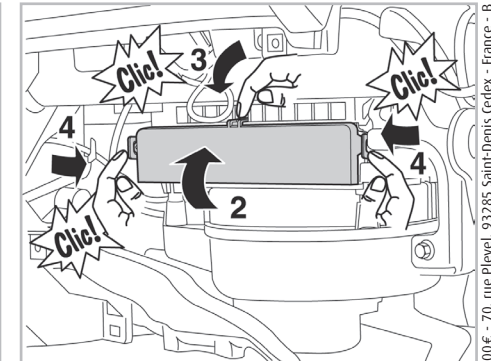
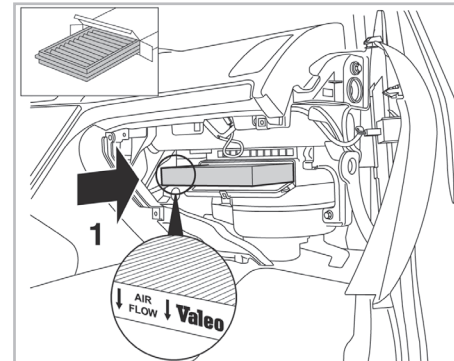
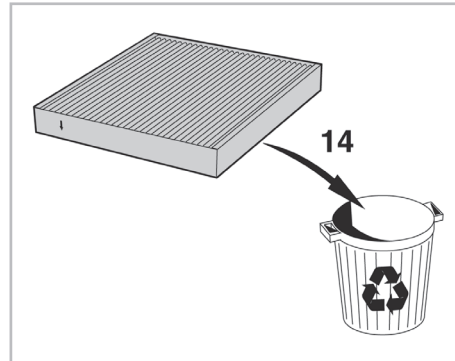
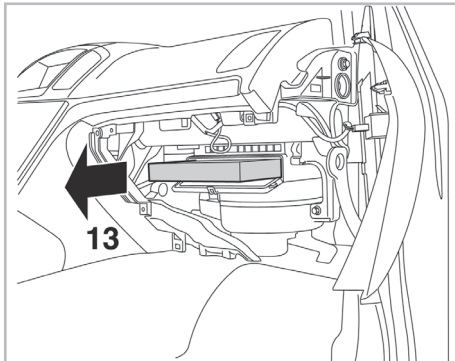
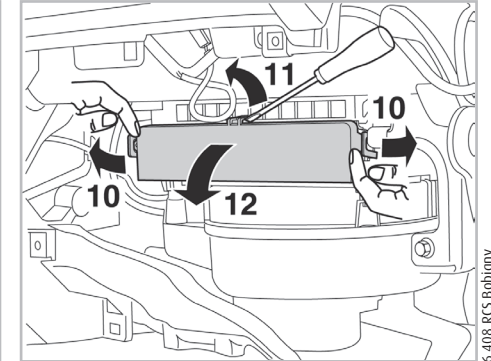
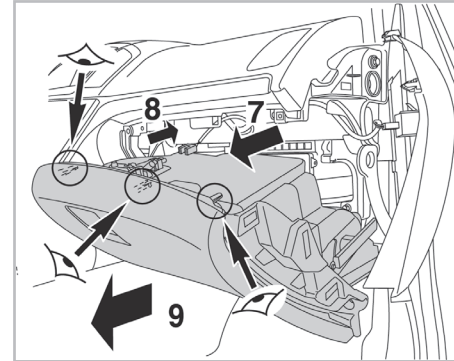
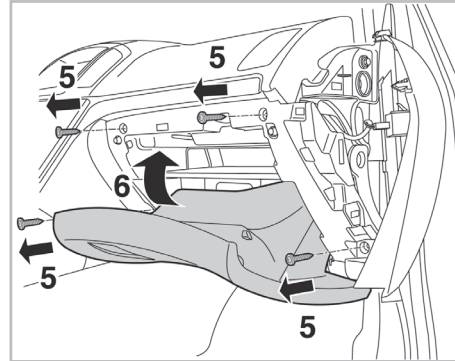
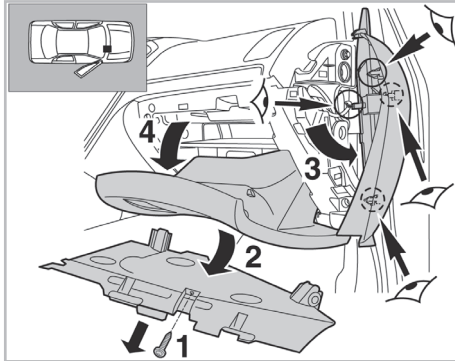
FH342



CA

FOR
OPEL

ASTRA J A/C+/- (11/09 >)



WANT TO
KNOW MORE?



www.valeo-techassist.com

Valeo Service - Société par Actions simplifiée - Capital de 12 900 000 € - 70, rue Playel, 93285 Saint-Denis Cedex - France - B 306 486 408 RCS Bobigny